



COMMERCIAL BUSINESS

- OFFICE   EDUCATION
- HOSPITALITY   RETAIL & FOOD
- GOVERNMENT   HEALTHCARE

Lycos, Inc. was established in 2007 to fabricate solid surface for the commercial market in Nebraska and Iowa. Our founder, Jon Taylor, brings 20+ years of construction experience to the leadership and direction of the company, and in 2013 a need in the finish carpentry industry opened the door for further expansion. Since then, Lycos, Inc. has grown to become a holding company of Lycos Finish and Lycos Manufacturing.

“High Quality results on all Projects”

“Lycos, Inc. hands-down performed and delivered on a very critical job for J.E. Dunn Construction and our Owner. As we look forward to finishing these projects on a developed partnership of integrity, collaboration, wisdom, quality, value, sustainability and safety, we would like to recognize Lycos, Inc. as a key player to our overall project success. We want to compliment your company's performance and would like to note that early communication in buyout, sequencing, procurement, and delivery resulted in successful projects with a happy client.”

- J.E. Dunn Construction Company,
Nebraska Medicine Primary Care Clinics

Lycos Finish focuses on providing installation services for architectural woodwork, finish carpentry, doors/hardware, accessories and other miscellaneous specialty items for the commercial market in Iowa and Nebraska, while Lycos Manufacturing focuses on solid surface fabrication. No matter the project size, our team will strive to show why we are the industry leader! We create peace of mind by providing excellence for quality minded clients who share our values.

CALL TODAY!

1.866.573.6861

www.lycosfinish.com
info@lycosfinish.com

Planning

Let our project management team be an extension of yours! We will work to determine timelines, arrival of products and man power to service each jobs need.

Divisions

- Division 6
- Division 8
- Division 10
- Division 11
- Division 12

Accuracy

Satisfaction in service is our number one goal. We stress the importance of perfection to our teams to provide quality work from start to finish. Attention to detail, liabilities and efficiency allow for expectations to be met.



Delivery

Service is our top priority. Through best practice concepts and proactive manufacturing, our teams are equipped to keep your project moving forward on schedule. Feel confident that all services provided by Lycos, Inc. will be performed correct the first time.

Equipment

We provide top of the line tools for our installation and manufacturing crews. In keeping with industry trends and capabilities, we allow for greater efficiency and quality of service performed.

RETHINK EFFICIENT STORAGE

Provide secure storage for your products

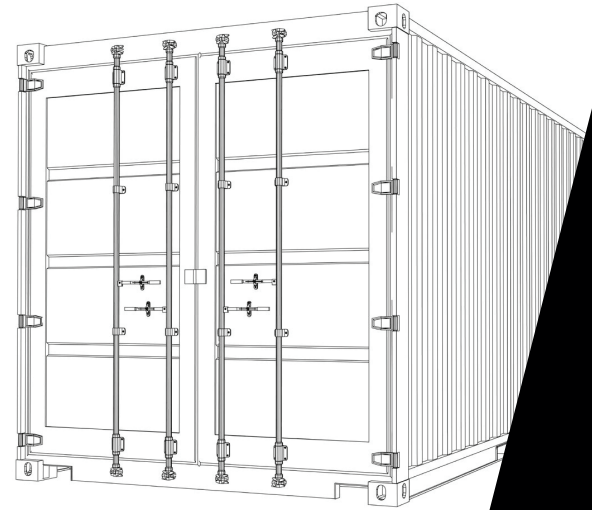
With weather-resistant **1280 cubic feet** conex storage containers.

No more material losses and project delays

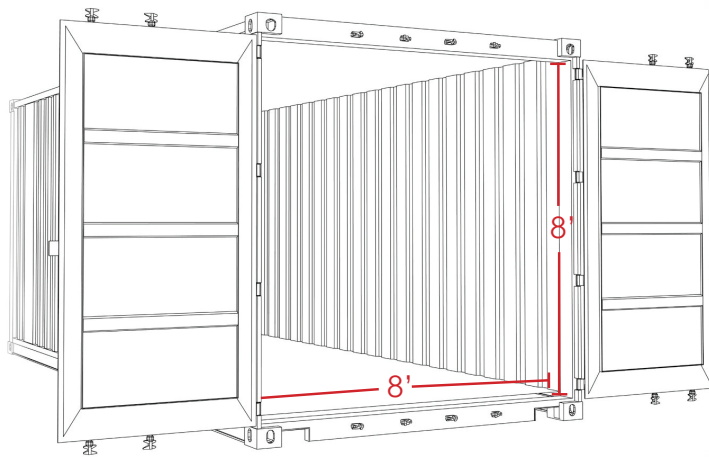
Product misplacement and damage can get expensive and even delay the project. Storing all construction products in our storage containers is time-efficient and cost-effective for everyone involved.

Increase to work flow efficiency

Effective work flow is essential to jobsite efficiency. Placing all materials and specialty products in one place allows for a cleaner work space and increases productivity resulting in faster, higher quality installations.



CONEX DIMENSIONS: 8'x 8'x 20'



BENEFITS:

- All products stored in one place
- Keep inventory to maintain material organization
- Secure
- Weather-resistant
- Shipped and picked up directly to and from jobsite
- Time-efficient
- No cost-overruns



25%
of your Time
& Money
**SAVED
USING
CONEX**

*Distribution of containers are based on individual project needs that will be coordinated through our project managers.

SAFETY

Every project is evaluated to ensure that the proper safety steps are in place and potential liabilities are addressed. Top of the line tools are provided to our installation teams on job sites to reduce risk of malfunction and misuse. All employees are drug tested and receive training for OSHA, CPR, fall protection, forklift and infectious disease control. We are proud to offer continued education courses to keep them up-to-date on the latest industry standards.

WARRANTY

Lycos, Inc. offers a one-year warranty on all of its manufacturing products and installation work. This warranty covers normal wear and tear damages of products as deemed fit. Rest assured, we'll take care of you.

WE OFFER FREE CONSULTATIONS

We love any and all projects, so tell us what you need help with. Based on your project needs and goals, we will present an individual plan and cost estimate that works with your budgetary needs.

Our Team



We are proud to staff over 60 employees to include specialized installation teams, fabrication teams, on-site foremen, project management, engineering and estimating teams, just to name a few.

- Project Managers
- Estimators
- Specialty Carpenters
- Installation Crew
- Fabrication Crew
- Engineers / CAD
- Marketing
- Controller
- Human Resources
- Safety Coordinator
- Designated Foreman

Crews and deliverables will always arrive **on time** **20+** thanks to our provided **fleet vehicles.**



Looking for something more? Ask!

